

# Hostert Pro

---

Optimize your production!

## Fully automatic loading or unloading system

For your printer, cutter, laminator, cleaning unit or other production machines.  
Use in combination with your machines for a complete production line.  
Loads directly from your palette to the loading table, media is then brought to the next unit in the work step.

Or, unload directly to your palette at the end of your production line.

For both printed and unprinted media.

Custom machine built to your requirements.

### Operation:

Operation speed is compatible with your production units.

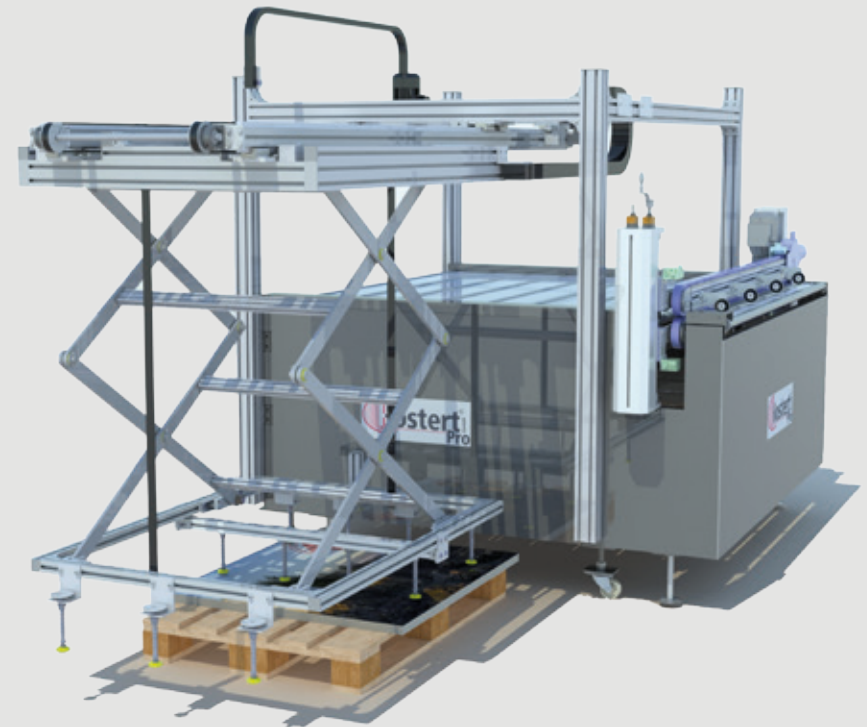
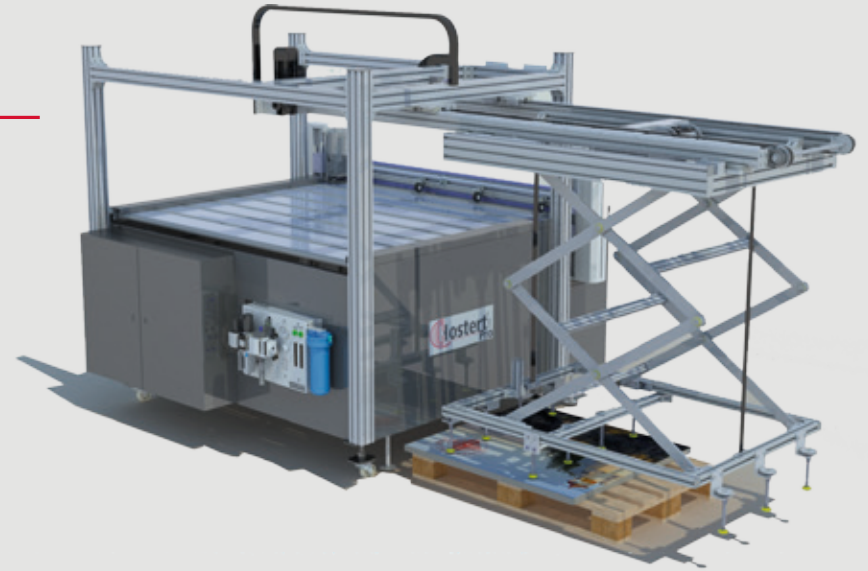
Touch panel control.

Remote control of all machine functions and remote diagnosis.

Loading table height is adjustable.

Ionization for media separation.

Unit is on wheels for easy handling.



### Hostert Pro GmbH

Westerburger Strasse 38  
D-56470 Bad Marienberg  
Germany

Tel: +49 (0) 2661 206732  
Fax: +49 (0) 2661 206739

[www.hostert-pro.de](http://www.hostert-pro.de)  
[info@hostert-pro.de](mailto:info@hostert-pro.de)

# Hostert Pro

Optimize your production!

## Fully automatic loading or unloading system

### Media:

Loads rigid and flexible media

Ask about specific or custom media materials

### Media Size:

Max.: 3,20 meter x 1,60 meter

Min.: approx. eight "A4" Sheets

Media thickness: As required!

Operation speed is compatible with your production units.

Maximum weight for media: 10 Kg per m<sup>2</sup>

Media stack height including palette: 1050mm

### Technical Data:

- Final data dependent on specific model -

### Electrical connection:

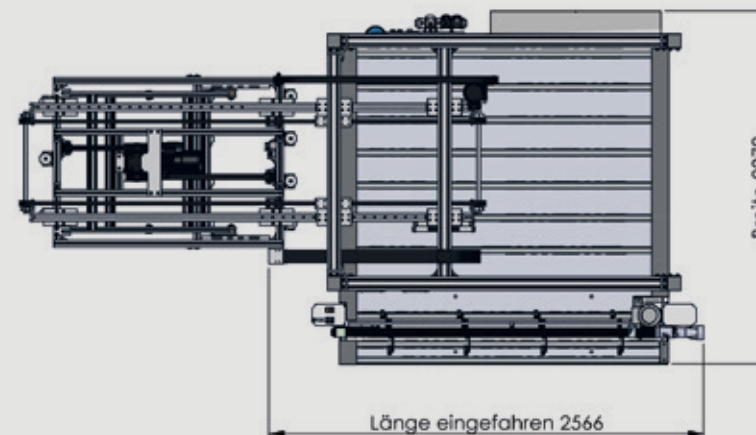
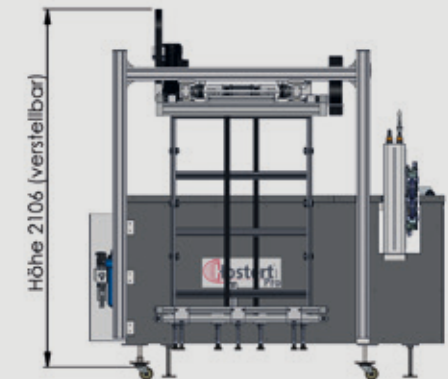
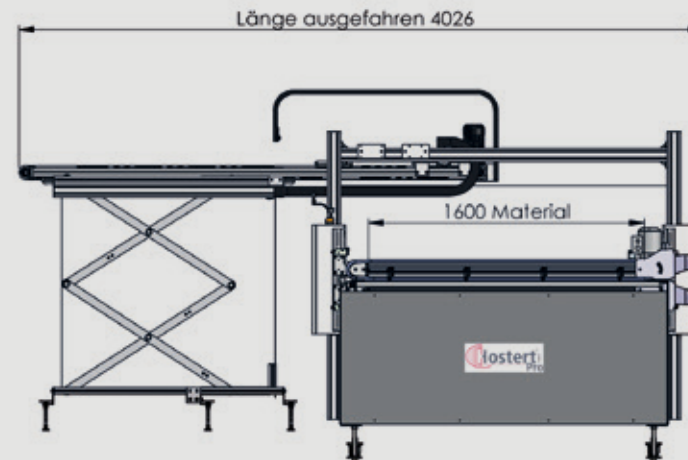
3 Phase 400 NPE, 50 Hz

Power consumption: starting at 2,5 KW

Compressed Air: 8 bar

### Shipping dimensions and weight:

Dependent on model



### Hostert Pro GmbH

Westerburger Strasse 38  
D-56470 Bad Marienberg  
Germany

Tel: +49 (0) 2661 206732  
Fax: +49 (0) 2661 206739

[www.hostert-pro.de](http://www.hostert-pro.de)  
[info@hostert-pro.de](mailto:info@hostert-pro.de)